

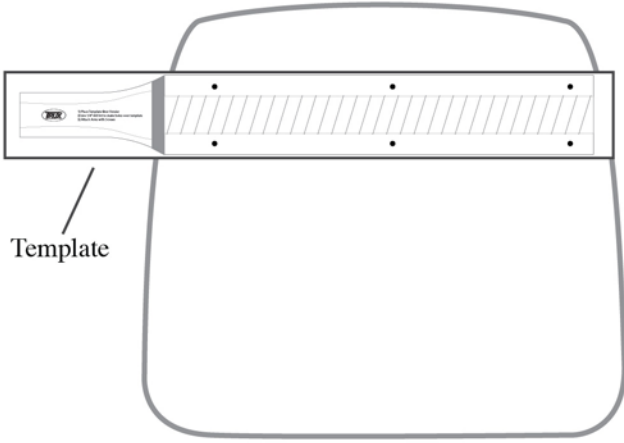


Installation Instructions

Important Notice: To validate the warranty you must follow the instruction.

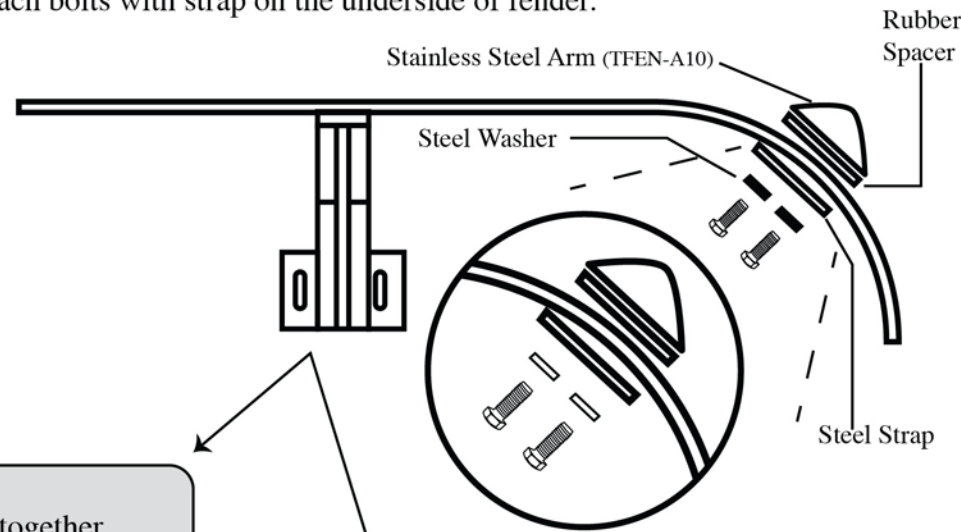
①

Use provided template for drilling holes.



②

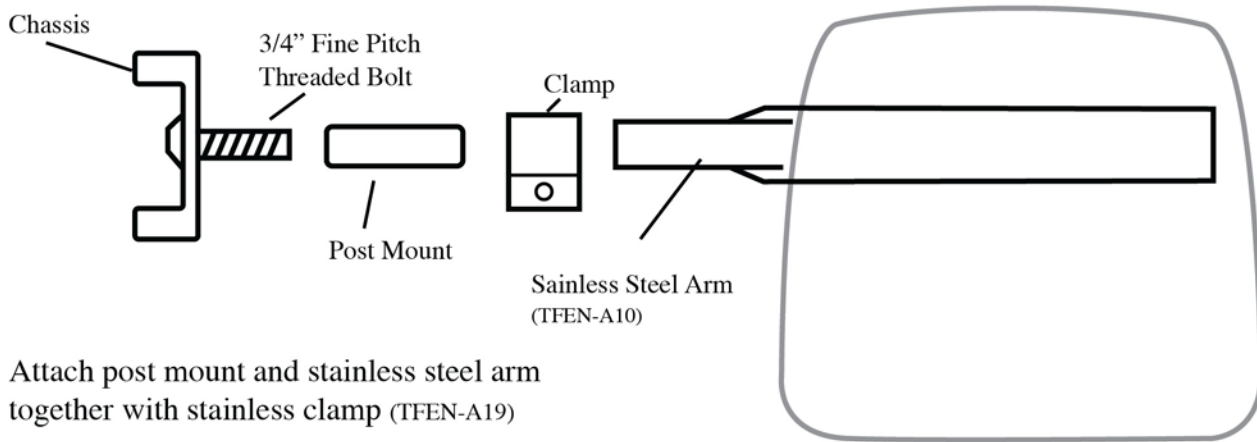
Place stainless steel arms to fenders as shown. Attach bolts with strap on the underside of fender.



Optional:
Bolt fender and back bracket (black bracket) together with rubber spacer in between (hardware not included)

③

Mount fender to truck's chassis as shown by using 3/4" fine pitch threaded bolts provided.



Attach post mount and stainless steel arm together with stainless clamp (TFEN-A19)

